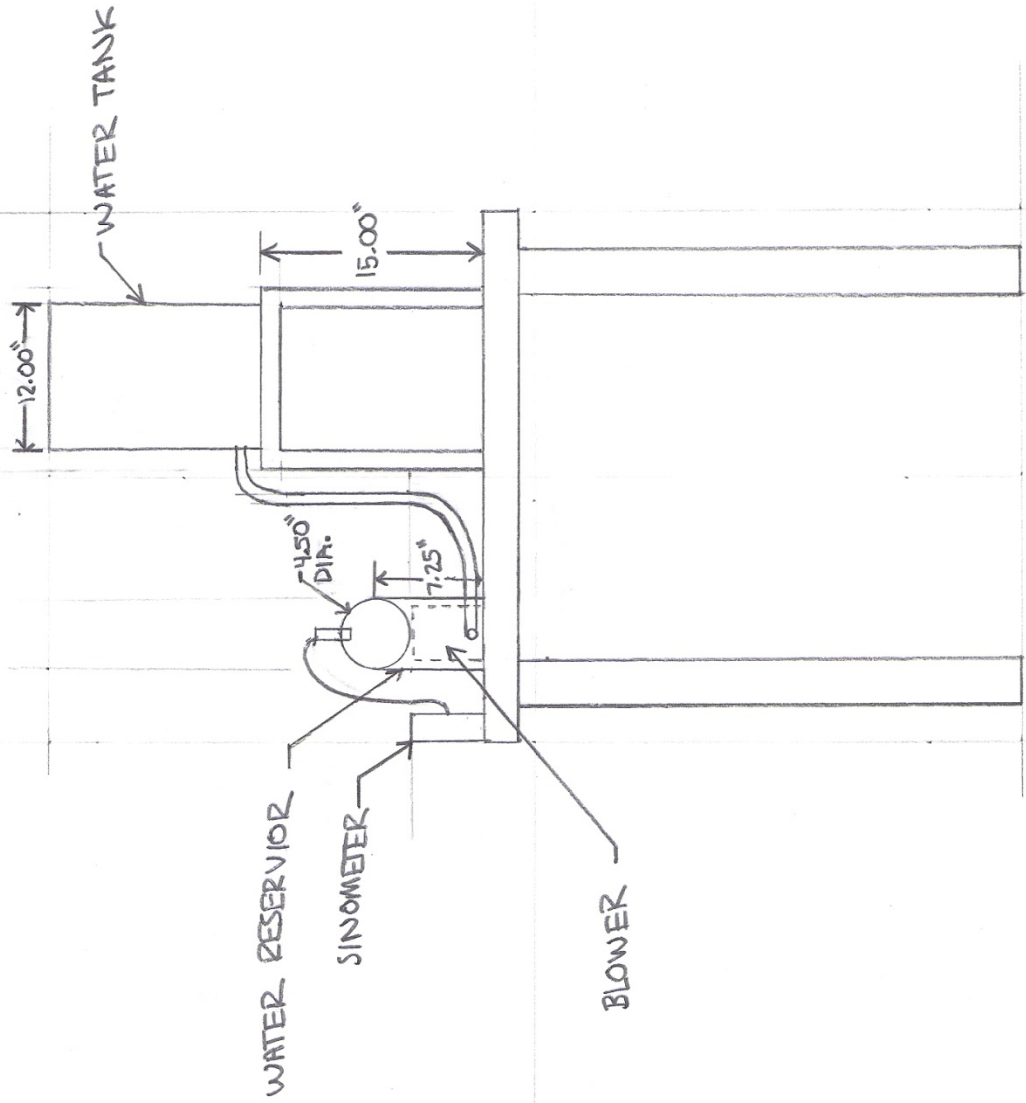


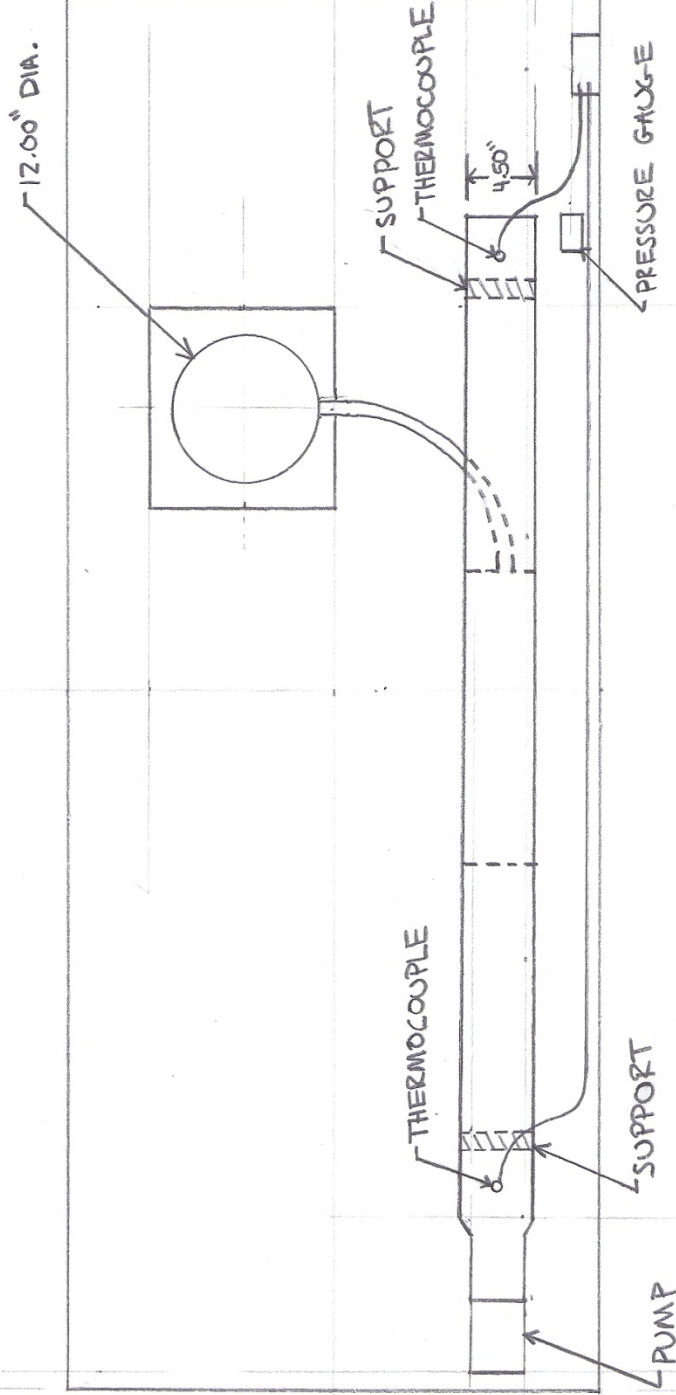
FRONT VIEW : GROUP #2

1/10 SCALE



SIDE VIEW: GROUP#2

1/10 SCALE



TOP VIEW : GROUP #2

COMMERCIAL-GRADE GAUGES TYPE C

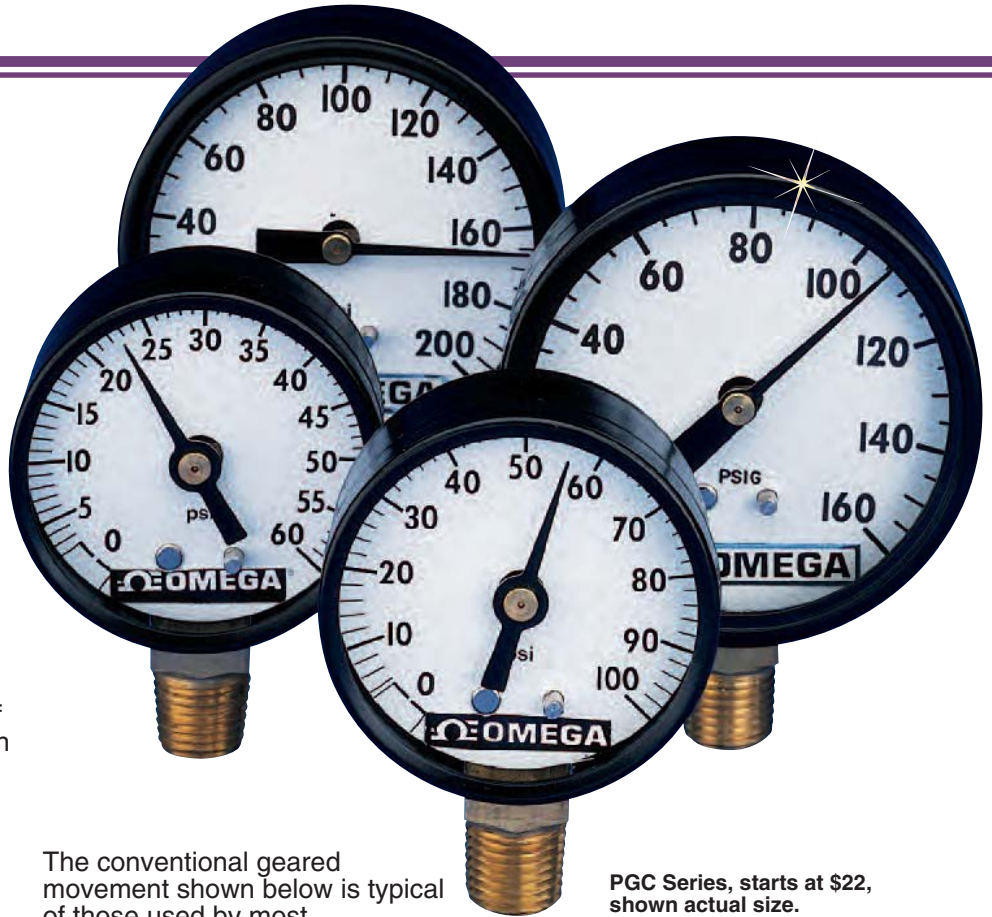
PGC Series

Starts at
\$22



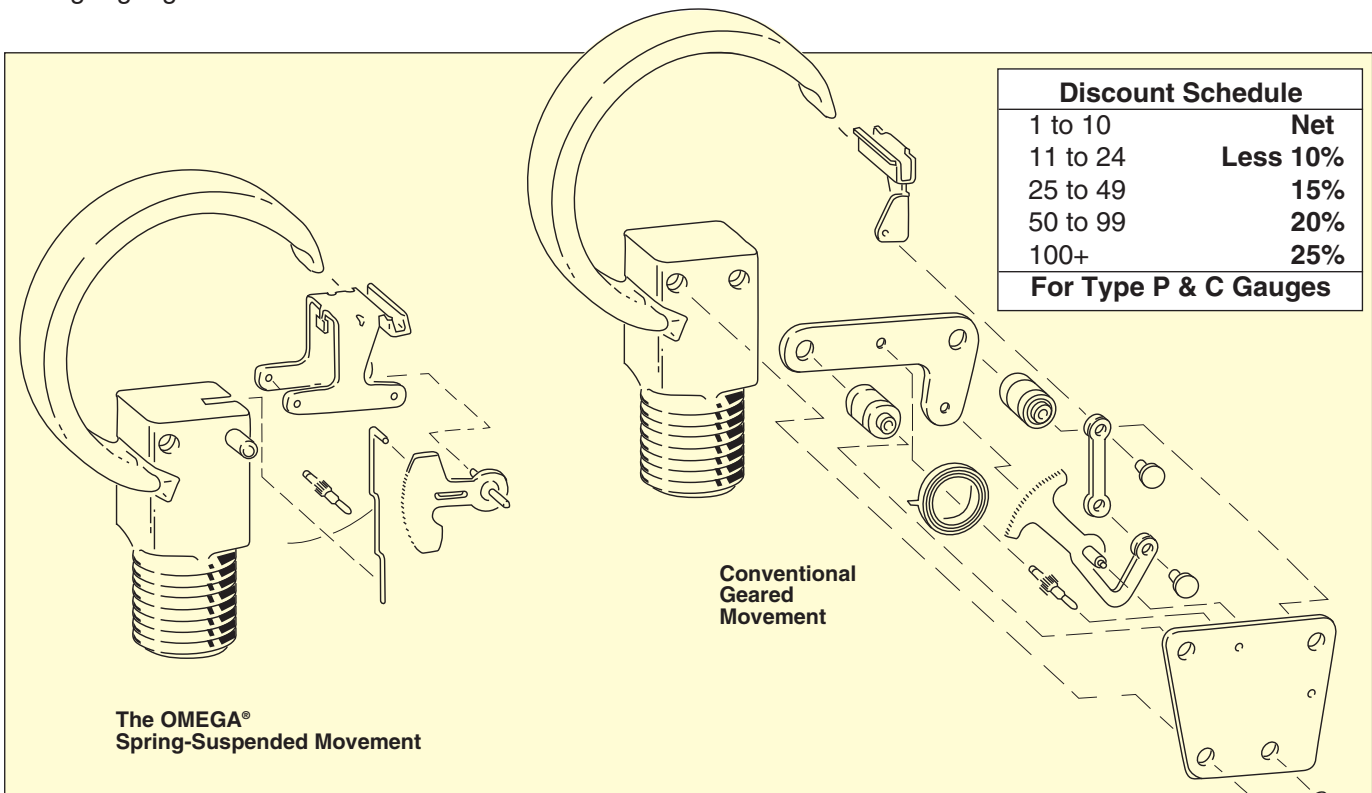
- ✓ Economically Priced
- ✓ Long-Lasting Movement
- ✓ Durable Construction
- ✓ Stocked Ranges for Fast Delivery

The OMEGA® spring-suspended movement represents the design of the future. Wearing parts have been reduced to a minimum. The entire movement is suspended between 2 springs, the Bourdon tube above and the link below. For the user, this means greater resistance to mechanical shock and vibration. This increased resistance to the effects of rough usage contributes to longer gauge life.



The conventional geared movement shown below is typical of those used by most manufacturers of commercial pressure gauges.

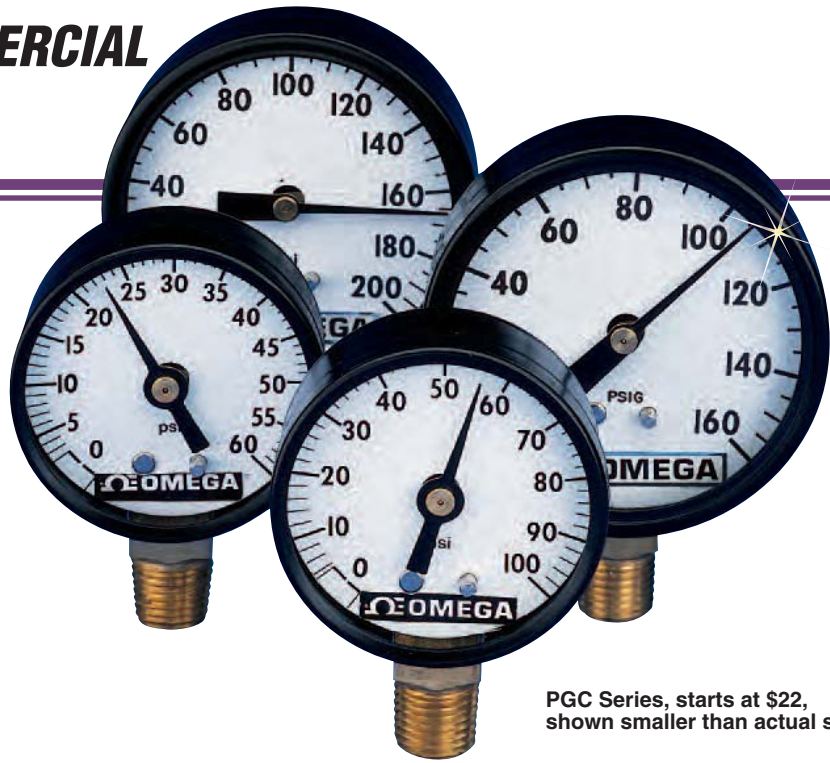
PGC Series, starts at \$22, shown actual size.



HOW TO ORDER COMMERCIAL GRADE GAUGES

Standard Case

The high reliability of the OMEGA® commercial gauge line is chiefly attributable to the unique OMEGA® spring-suspended movement. The entire movement is suspended between 2 springs, the Bourdon tube above and the link below. Wearing parts have been reduced to a minimum. Movement parts are ultrasonically cleaned and lubricated with silicone oil to ensure long cycle life. The OMEGA® spring-suspended movement is largely resistant to shock, pulsation, and vibration. The result is longer gauge life. The numerous applications for OMEGA® commercial gauges include installation on pumps, portable compressors, industrial machinery, hydraulic and pneumatic systems, instrumentation, and pressurized vessels.



PGC Series, starts at \$22, shown smaller than actual size.

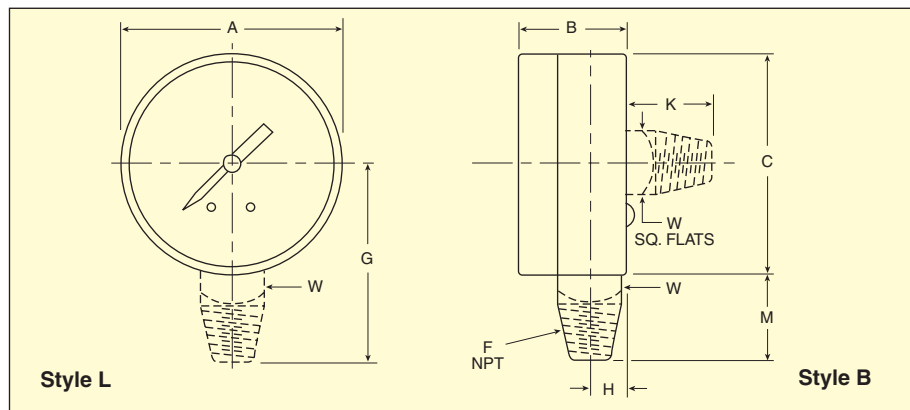
SPECIFICATIONS

- Temperature:** 66°C (150°F) max
- Case:** Painted steel
- Window:** Polycarbonate plastic
- Bourdon Tube:** Bronze
- Connection:** Brass ¼ NPT
- Ranges:** Vacuum to 600 psi

Accuracy: 3-2-3% (3% over first and last 10% of range, 2% over remainder)

STANDARD RANGES

RANGE CODE	RANGE
30V	30/0 inHg vac
30V/15	30 inHg vac to 15 psi
30V/30	30 inHg vac to 30 psi
30V/100	30 inHg vac to 100 psi
15	0 to 15 psi
30	0 to 30 psi
60	0 to 60 psi
100	0 to 100 psi
160	0 to 160 psi
300	0 to 300 psi
400	0 to 400 psi
600	0 to 600 psi



Dimensions: mm (in)

DIAL SIZE	A	B		C	F NPT	G	H	K	M	W	WT. (OZ)
		LOWER	BACK								
50.8 (2)	53 (2 ^{1/4})	27 (1 ^{1/4})	26 (1 ^{1/32})	54 (2 ^{1/4})	¼	47 (1 ^{27/32})	10 (3/8)	22 (7/8)	20 (25/32)	14 (9/16)	4½
63.5 (2½)	69 (2 ^{23/32})	29 (1 ^{1/8})	29 (1 ^{1/8})	68 (2 ^{11/16})	¼	55 (2 ^{5/32})	10 (3/8)	22 (7/8)	20 (25/32)	14 (9/16)	6

AVAILABLE FOR FAST DELIVERY!

DIAL SIZE	MODEL NO.	CONNECTION	PRICE
2"	PGC-20L-[*]	Lower	\$22
	PGC-20B-[*]	Back	25
2½"	PGC-25L-[*]	Lower	25
	PGC-25B-[*]	Back	27

[*] Insert range code from Standard Ranges table. Other standard ranges available; see pages G-37 to G-40.

Ordering Example: PGC-20B-30, commercial pressure gauge with 2" dial, back connection and 0/30 psi range, \$25.

Recommended Reference Book: Pocket Reference, GE-1600, \$15.
Visit omega.com/bobi for Additional Books



Price Information

30 CFM Blower:	\$53.70	x	1	= \$53.70
Pressure Gage:	\$10.37	x	1	= \$10.37
PVC Pipe:	\$13.59 per 10 ft	x	5 ft	= \$6.89
4" wide reservoir:	\$4.00	x	1	= \$4.00
Humidity Sensor:	\$69.00	x	1	= \$69.00
Temperature Meter:	\$50.00	x	1	= \$50.00
Thermocouple probe:	\$24.00 each	x	2	= \$48.00
Duct Hose:	\$5.00 per ft	x	2.5	= \$12.50
5 Gallon Tank:	\$20.00	x	1	= \$20.00
Hose Clamps:	\$1.50 each	x	3	= \$4.50
Duct Reducer:	\$10.00	x	1	= \$20.00
½ " Hose:	\$1.00 per ft	x	2 ft	= \$2.00
TOTAL (approx.) =				\$300.96